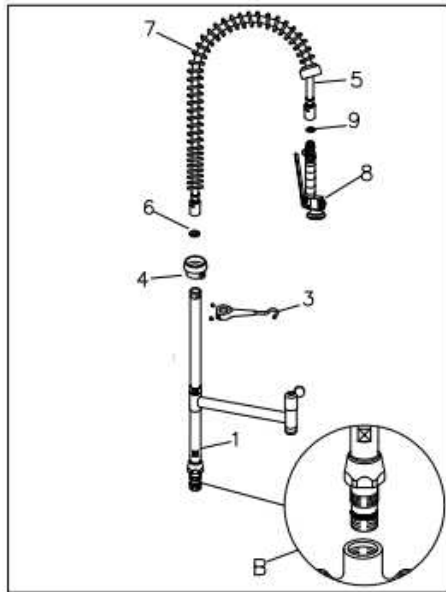


E PRE-RINSE UNIT INSTALLATION

Install the tap on the sink before assembling the Pre-Rinse Unit. Do not connect the tap inlets to the water supply, yet. Then proceed as follows:

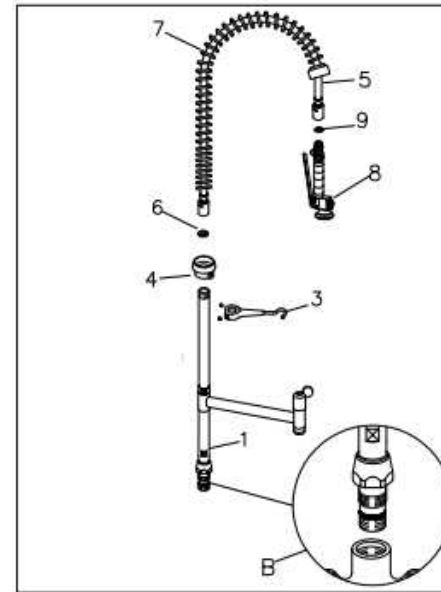


1. Connect the pre-rinse riser pipe to the tap's outlet (Detail B) and tighten it, making sure that the gaskets are properly placed.
2. Assemble the Spray Gun (8) to the Flexible Hose (5), using the Gasket (9) provided with the Spray Gun. Tighten the Spray Gun to the Flexible Hose by hand, do not use a wrench.
3. Connect the tap's inlets to the water supply and test the Pre-Rinse Unit before using.

SAFETY PRECAUTION: When the pre-rinse unit is not used for some time (e.g.: during the night,) always close the tap's valves so not to leave the spray gun under constant water pressure

E PRE-RINSE UNIT INSTALLATION

Install the tap on the sink before assembling the Pre-Rinse Unit. Do not connect the tap inlets to the water supply, yet. Then proceed as follows:



1. Connect the pre-rinse riser pipe to the tap's outlet (Detail B) and tighten it, making sure that the gaskets are properly placed.
2. Assemble the Spray Gun (8) to the Flexible Hose (5), using the Gasket (9) provided with the Spray Gun. Tighten the Spray Gun to the Flexible Hose by hand, do not use a wrench.
3. Connect the tap's inlets to the water supply and test the Pre-Rinse Unit before using.

SAFETY PRECAUTION: When the pre-rinse unit is not used for some time (e.g.: during the night,) always close the tap's valves so not to leave the spray gun under constant water pressure